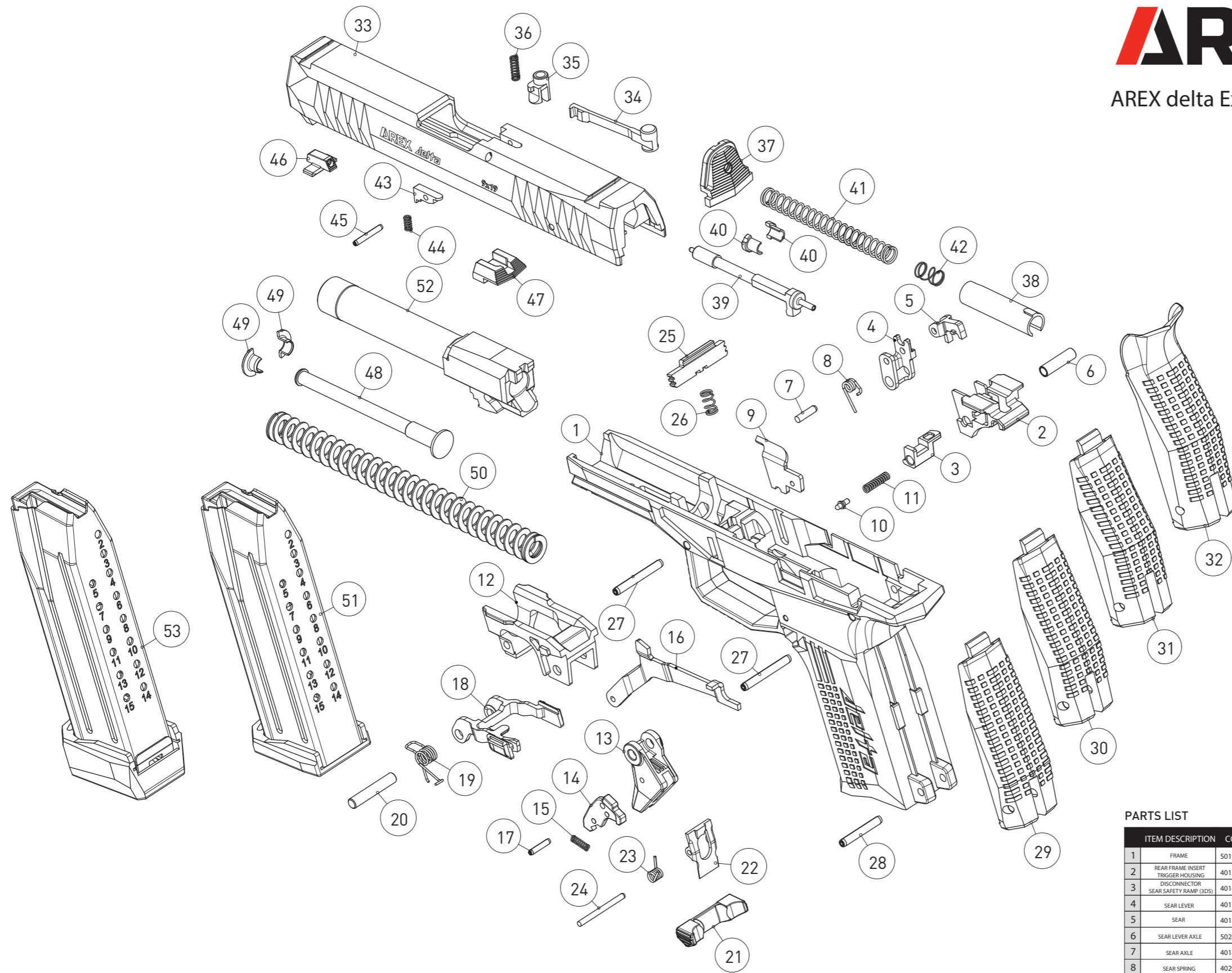


## AREX delta Exploded Diagram



### PARTS LIST

ITEM DESCRIPTION	CODE	ITEM DESCRIPTION	CODE	ITEM DESCRIPTION	CODE	ITEM DESCRIPTION	CODE				
1	FRAME	17	TRIGGER SAFETY LATCH AXLE	402008	33	SLIDE	502637	49	RECOIL SPRING RETAINER CLIP (2)	502035	
2	REAR FRAME INSERT	401208	18	SLIDE CATCH RELEASE (AMBIDEXTROUS)	402061	34	EXTRACTOR	501899	50	RECOIL SPRING	402637
3	DISCONNECTOR	401425	19	TRIGGER SLIDE CATCH SPRING	402062	35	STRIKER BLOCK PLUNGER (SDS)	402274	51	MAGAZINE (COMPLETE)	402639
4	SEAR LEVER	401730	20	TRIGGER AXLE	502046	36	STRIKER BLOCK SPRING	402339	52	BARREL	502641
5	SEAR	401874	21	MAGAZINE RELEASE BUTTON (AMBIDEXTROUS)	501713	37	SLIDE COVER PLATE	501912	53	MAGAZINE "PLUS 2" (COMPLETE)	402638
6	SEAR LEVER AXLE	502484	22	MAGAZINE CATCH	402046	38	STRIKER SLEEVE	501955			
7	SEAR AXLE	401882	23	MAGAZINE CATCH SPRING	402106	39	STRIKER	501960			
8	SEAR SPRING	402012	24	MAGAZINE CATCH AXLE	402198	40	STRIKER RETAINER CUP (2)	501974			
9	EJECTOR	501130	25	DISASSEMBLY LATCH	402206	41	STRIKER SPRING	402359			
10	SAFETY LEVER PIN	501240	26	DISASSEMBLY LATCH SPRING	402250	42	STRIKER REBOUND SPRING	402484			
11	DISCONNECTOR SPRING	402019	27	FRAME PIN (2)	402254	43	LOADED CHAMBER INDICATOR	402007			
12	FRONT FRAME INSERT UNLOCKING BLOCK	402020	28	GRIP BACK STRAP LANYARD PIN	402255	44	LOCK LOADED CHAMBER INDICATOR SPRING	402041			
13	TRIGGER	501276	29	GRIP BACK STRAP S (SMALL)	501753	45	LOADED CHAMBER INDICATOR AXLE	402009			
14	TRIGGER SAFETY LATCH (SDS)	501519	30	GRIP BACK STRAP M (MEDIUM)	501858	46	FRONT SIGHT	402490			
15	TRIGGER SAFETY LATCH SPRING	402024	31	GRIP BACK STRAP L (LARGE)	501890	47	REAR SIGHT	402636			
16	TRIGGER BAR	501712	32	GRIP BACK STRAP XL (EXTRA LARGE)	501891	48	RECOIL SPRING GUIDE	502009			